



## Description

Made of treated steel, the cylinders in the UB.S.To range retain a high level of guidance in spite of a reduced closed height. Fully treated against seizing and corrosion, their resistance is exceptional.

Their threaded piston is equipped with a safety nut enabling mechanical securing of the load in position.

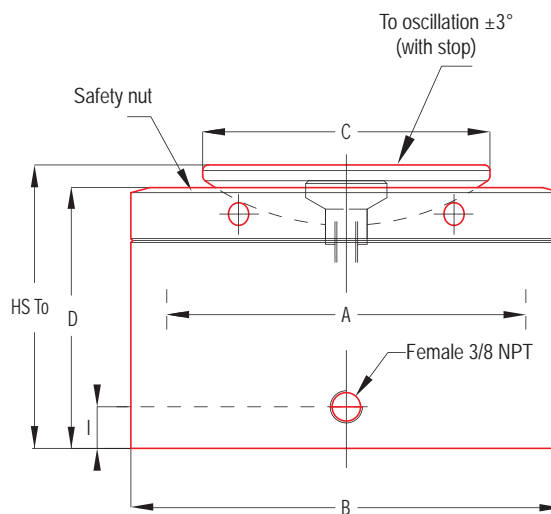
**They are used extensively in public works, construction and heavy industry for positioning, chocking or lifting of items requiring the use of very high tonnage cylinders.**

## Specifications

- Thrust 60 to 1000 tonnes
- Stroke 45 or 50 mm according to model
- Piston load return
- Anti-seizing, corrosion-proof treatment
- Stroke-limiting discharge hole
- Threaded piston with safety nut
- Tilting piston head
- Screw-n female 1/2 coupler 3050.3 with protective cap

## On request

- Different load
- Different stroke



Cat Tonnes	Forces KN	Cross-section cm <sup>2</sup>	Stroke mm	Oil volume dm <sup>3</sup>	P/N	Mass Kg	Dimensions in mm					
							HS TO	D	A	B	C	I
60	606	86,6	50	0,43	UB.60.50.S.To	12,5	125	118	105	130	94	20
100	1001	143,1	50	0,72	UB.100.50.S.To	23	135	127	135	170	127	20
160	1589	227	45	1,02	UB.160.45.S.To	38	148	138	170	208	154	22
200	1984	283,5	45	1,28	UB.200.45.S.To	47,5	155	145	190	228	188	25
260	2661	380,1	45	1,9	UB.260.45.S.To	65	159	149	220	264	188	25
400	4008	572,6	45	2,58	UB.400.45.S.To	109	178	166	270	320	254	33
500	4945	706,9	45	3,18	UB.500.45.S.To	152	195	183	300	360	286	40
600	5987	855,3	45	3,85	UB.600.45.S.To	216	230	216	330	395	322	45
800	7938	1134,2	45	5,1	UB.800.45.S.To	330	265	249	380	455	364	50
1000	10164	1452	45	6,5	UB.1000.45.S.To	478	295	277	430	520	390	60