



PH. 1.700 standard

### Description

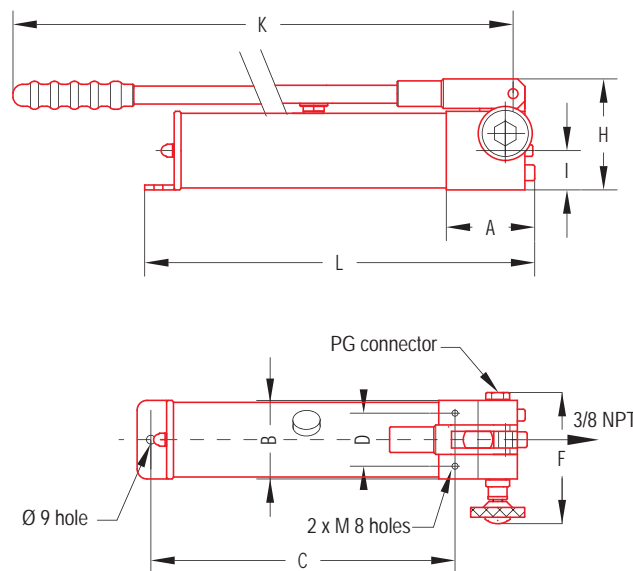
Small, lightweight and easy-to-handle, designed for the supply of single-acting cylinders, PH1 hand pumps are recommended in applications where the movement speed is not a decisive factor, or for the supply of small-sized cylinders.

### Specifications

- Working pressure 700 to 1000 bar
- Effective tank capacity 0.8 litre
- Machined light alloy pump unit
- One-speed pump
- Discharge valve
- Adjustable external pressure limiter
- Pressure gauge connector
- Stabilisation lug

### On request

- Adapted tank capacity
- Quick couplers with protective cap
- Pressure gauge
- Stabilisation frame
- Distribution unit for supplying multiple cylinders
- Use with Skydrol type fluid



PH 1. 700 - 1000 bar

| P/N       | Mass in Kg | Effective capacity in litres | Dimensions in mm |    |     |    |     |     |    |    |     |     | Flow rate cm <sup>3</sup> per pump activation |
|-----------|------------|------------------------------|------------------|----|-----|----|-----|-----|----|----|-----|-----|---|
|           |            |                              | A                | B  | C   | D  | F   | H   | I  | J  | K   | L   |   |
| PH.1.700  | 4,9        | 0,8                          | 90               | 80 | 325 | 50 | 127 | 115 | 40 | 80 | 530 | 395 | 2,2   |
| PH.1.1000 | 4,9        | 0,8                          | 90               | 80 | 325 | 50 | 127 | 115 | 40 | 80 | 530 | 395 | 1,5   |